

Indexing Plungers

Steel / Stainless Steel without rest position

SPECIFICATION

Types

- Type **A**: with Plastic-Knob, without lock nut
- Type **AK**: with Plastic-Knob, with lock nut
- Type **AN**: with Stainless Steel-Knob, without lock nut
- Type **AKN**: with Stainless Steel-Knob, with lock nut
- Type **G**: with threaded rod, without lock nut
- Type **GK**: with threaded rod, with lock nut

Steel

- blackened
- Pin hardened

Stainless Steel AISI 303 NI

Pin chemically nickel plated

Knob Type A / AK

- Plastic (Polyamide PA)
- black, matt
- not removable

Knob Type AN / AKN

- Stainless Steel AISI 303
- not removable

INFORMATION

Type G or GK of the GN 613 indexing plungers have been designed for applications where the indexing plunger is not operated with the standard knob.

The indexing plungers are designed such that the plunger set in the end position (spring is "on block") can also absorb axial forces. For applications in which these forces are substantially above the tensile force applied by the operator (Type G), GN 817 (see page 754) indexing plungers are to be preferred.

A special screw driver GN 613.1 is available. Two slots are provided in the upper end of the body which are accessible with the knob in its retracted position.

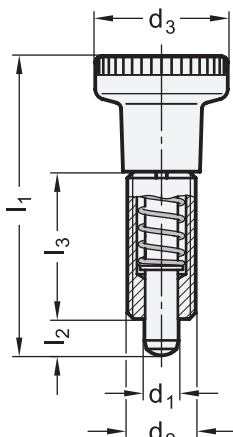
- Range of indexing plungers (see page 738)

TECHNICAL INFORMATION

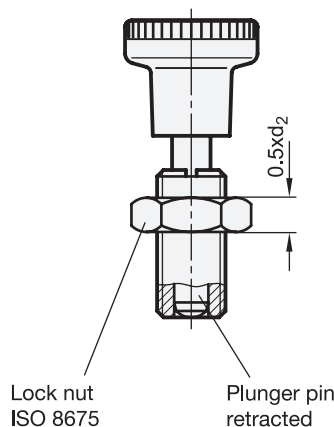
- ISO-Fundamental Tolerances (see page A21)
- Stainless Steel characteristics (see page A26)
- Plastic characteristics (see page A2)



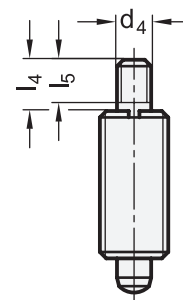
Type A



Type AK



Type G





GN 613 (Steel with Plastic knob)

Description	d1 Pin -0.02/-0.05 Bore H7	d2	d3	d4	l1 ≈	l2	l3	l4	Spring load in N ≈ initial	Spring load in N ≈ end	Code no. Screw driver	⚖
GN 613-5-A	5	M 10 x 1	21	-	45	5	22	6	7	17	GN 613.1-5	17
GN 613-6-A	6	M 12 x 1.5	25	-	54.5	6	26	10	9	24	GN 613.1-6	29
GN 613-8-A	8	M 16 x 1.5	31	-	69	8	34	12	11	30	GN 613.1-8	62
GN 613-10-A	10	M 20 x 1.5	31	-	80	10	43	12	19	45	GN 613.1-10	92
GN 613-5-AK	5	M 10 x 1	21	-	45	5	22	6	7	17	GN 613.1-5	25
GN 613-6-AK	6	M 12 x 1.5	25	-	54.5	6	26	10	9	24	GN 613.1-6	38
GN 613-8-AK	8	M 16 x 1.5	31	-	69	8	34	12	11	30	GN 613.1-8	82
GN 613-10-AK	10	M 20 x 1.5	31	-	80	10	43	12	19	45	GN 613.1-10	127
GN 613-5-G	5	M 10 x 1	-	M 5	-	5	22	6	7	17	GN 613.1-5	14
GN 613-6-G	6	M 12 x 1.5	-	M 6	-	6	26	10	9	24	GN 613.1-6	20
GN 613-8-G	8	M 16 x 1.5	-	M 8	-	8	34	12	11	30	GN 613.1-8	40
GN 613-10-G	10	M 20 x 1.5	-	M 8	-	10	43	12	19	45	GN 613.1-10	86
GN 613-5-GK	5	M 10 x 1	-	M 5	-	5	22	6	7	17	GN 613.1-5	21
GN 613-6-GK	6	M 12 x 1.5	-	M 6	-	6	26	10	9	24	GN 613.1-6	37
GN 613-8-GK	8	M 16 x 1.5	-	M 8	-	8	34	12	11	30	GN 613.1-8	64
GN 613-10-GK	10	M 20 x 1.5	-	M 8	-	10	43	12	19	45	GN 613.1-10	121

GN 613-NI (Stainless Steel with Plastic knob)

STAINLESS STEEL

Description	d1 Pin -0.02/-0.05 Bore H7	d2	d3	d4	l1 ≈	l2	l3	l4	Spring load in N ≈ initial	Spring load in N ≈ end	Code no. Screw driver	⚖
GN 613-5-A-NI	5	M 10 x 1	21	-	45	5	22	6	6	15	GN 613.1-5	15
GN 613-6-A-NI	6	M 12 x 1.5	25	-	54.5	6	26	10	8	21	GN 613.1-6	29
GN 613-8-A-NI	8	M 16 x 1.5	31	-	69	8	34	12	9	26	GN 613.1-8	64
GN 613-10-A-NI	10	M 20 x 1.5	31	-	80	10	43	12	17	40	GN 613.1-10	106
GN 613-5-AK-NI	5	M 10 x 1	21	-	45	5	22	6	6	15	GN 613.1-5	25
GN 613-6-AK-NI	6	M 12 x 1.5	25	-	54.5	6	26	10	8	21	GN 613.1-6	35
GN 613-8-AK-NI	8	M 16 x 1.5	31	-	69	8	34	12	9	26	GN 613.1-8	82
GN 613-10-AK-NI	10	M 20 x 1.5	31	-	80	10	43	12	17	40	GN 613.1-10	127
GN 613-5-G-NI	5	M 10 x 1	-	M 5	-	5	22	6	6	15	GN 613.1-5	14
GN 613-6-G-NI	6	M 12 x 1.5	-	M 6	-	6	26	10	8	21	GN 613.1-6	19
GN 613-8-G-NI	8	M 16 x 1.5	-	M 8	-	8	34	12	9	26	GN 613.1-8	44
GN 613-10-G-NI	10	M 20 x 1.5	-	M 8	-	10	43	12	17	40	GN 613.1-10	88
GN 613-5-GK-NI	5	M 10 x 1	-	M 5	-	5	22	6	6	15	GN 613.1-5	21
GN 613-6-GK-NI	6	M 12 x 1.5	-	M 6	-	6	26	10	8	21	GN 613.1-6	27
GN 613-8-GK-NI	8	M 16 x 1.5	-	M 8	-	8	34	12	9	26	GN 613.1-8	64
GN 613-10-GK-NI	10	M 20 x 1.5	-	M 8	-	10	43	12	17	40	GN 613.1-10	123

GN 613-NI (Stainless Steel knob)

STAINLESS STEEL

Description	d1 Pin -0.02/-0.05 Bore H7	d2	d3	l1 ≈	l2	l3	Spring load in N ≈ initial	Spring load in N ≈ end	Code no. Screw driver	⚖
GN 613-5-AN-NI	5	M 10 x 1	21	45	5	22	6	15	GN 613.1-5	37
GN 613-6-AN-NI	6	M 12 x 1.5	25	54.5	6	26	8	21	GN 613.1-6	61
GN 613-8-AN-NI	8	M 16 x 1.5	31	69	8	34	9	26	GN 613.1-8	123
GN 613-10-AN-NI	10	M 20 x 1.5	31	80	10	43	17	40	GN 613.1-10	171
GN 613-5-AKN-NI	5	M 10 x 1	21	45	5	22	6	15	GN 613.1-5	40
GN 613-6-AKN-NI	6	M 12 x 1.5	25	54.5	6	26	8	21	GN 613.1-6	69
GN 613-8-AKN-NI	8	M 16 x 1.5	31	69	8	34	9	26	GN 613.1-8	140
GN 613-10-AKN-NI	10	M 20 x 1.5	31	80	10	43	17	40	GN 613.1-10	200

